

IC SOCKET 2.54mm(0.100")

- PITCH=7.62mm



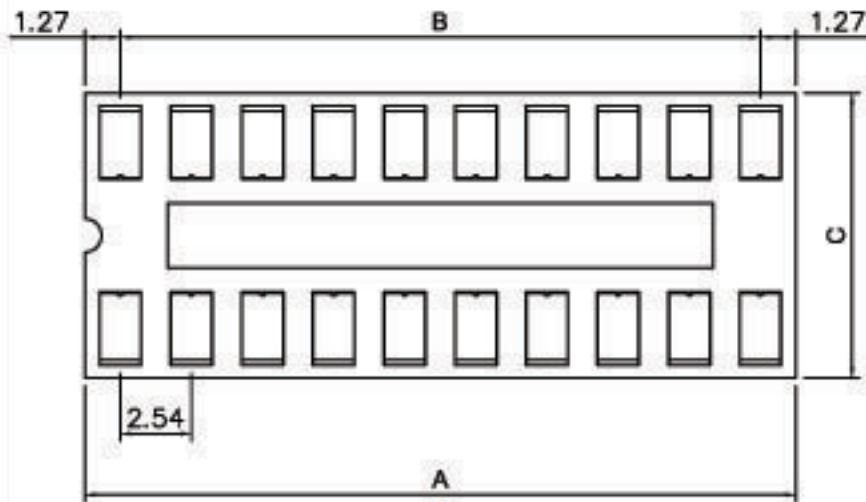
Specifications

Contact Resistance: $\leq 30m$ max. at DC 100mA
 Insulator Resistance: 1000M min. at DC 500V
 Current Rating: 1 AMP
 Dielectric Withstanding
 Voltage: AC 500V For 1 minute
 Operating Temperature: $-55^{\circ}\sim+105^{\circ}c$
 Contact: Phosphor Bronze
 Housing: PBT & 30% Glass Fiber (UL 94V-0)

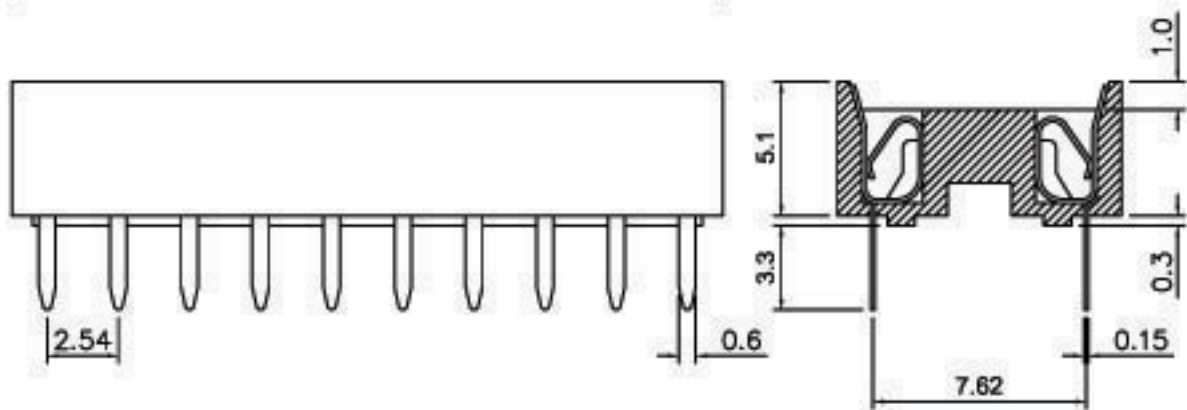
Axx-LCG-T-R

OF CONTACTS

G = FULL GOLD



RoHS COMPLIANT



Dimension

Position	A	B	C	D
6	7.62	5.08	10.16	7.62
8	10.16	7.62	10.16	7.62
14	17.78	15.24	10.16	7.62
16	20.32	17.78	10.16	7.62
18	22.86	20.32	10.16	7.62
*20	25.4	22.86	10.16	7.62

一般公差	.00	±0.05	.0	±0.1	0.	±0.3	10-29.99	±0.5
30-99.99	±1.0	100-299.99	±1.5	品名 IC SOCKET 2.54mm(0.100") - PITCH=7.62mm				
Axx-LC-TT-R		比例	4/1	投影	第三角法	圖樣編號	承認	
		單位	mm	繪圖	說明書	日期	2003/08/30	版本 A